

USER GUIDE

| Document Code No | Release Date | Revision Date | Revision No |
|---|--------------|---------------|-------------|
| CE-11 - 003 | 15.08.2010 | 03.11.2020 | 02 |
| <p><i>This document is KAPTANLAR MACHINERY AND HYDRAULICS INDUSTRY TRADE LTD. COMPANY's. All rights are reserved. No part of this publication may be used or changed without the permission of the publisher. Con not be stored in a system to be used again and con not be reproduced by electronically or mechanical photocopying. Bound copies are invalid. This kind of people and organizations in the legal process is initiated initiatives.</i></p> | | | |

1. GENERAL INFORMATION

1.1. PURPOSE AND SCOPE:

AOSM 25 ELECTRICALLY ANGLED AUTOMATIC SIZING MACHINE' s safe installation, explanation of the working system, defining the maintenance and usage processes, ensuring safely use services of the product, enabling users in the light of the user guide to use the machine as the most suitable, protected from dangers that may occur during use, ensuring the most efficient operation, reducing downtime for cleaning and maintenance work to increase productivity.

The product, whose name and type is given below, that you have purchased within this scope in accordance with the regulations and standards specified in **ISO 9001:2015** Quality Management System, subject to factory production control, accredited certified by **TSEK** and **TSE HYB**, meeting the requirements of **2006/42/AT** machinery safety regulation and referenced **2006/95/AT** the Low Voltage Regulation is produced in our production factory in accordance with quality criteria.

The relevant equipment and materials used in AOSM 25 Electrically Angled Automatic Sizing Machine are subject to relevant regulations and in accordance with our Supplier Evaluation Criteria and are supplied from companies or organizations approved by us.

1.2. ABOUT THE GUIDE:

Please, read this user manual before using AOSM 25 Electrically Angled Automatic Sizing Machine and follow all these rules while using it. Perform all your applications during use as instructed in the user manual. Store it in a safe place for future use. In case you give this AOSM 25 Electrically Angled Automatic Sizing Machine to 2nd or 3rd parties, you must also give this user guide.

The items listed below are prepared and presented for safety and compliance of purchased AOSM 25 Electrically Angled Automatic Sizing Machine, which is in safe, all regulatory obligations fulfilled and in good quality, and as well as for your own safety.

1.3. INFORMATION ABOUT PRODUCTION COMPANY:

| | | |
|---|--|--|
| Title | KAPTANLAR MACHINERY AND HYDRAULIC INDUSTRY TRADE LIMITED COMPANY | |
| Adress | ORGANIZED INDUSTRIAL ZONE 4. STREET NO: 3 AFYONKARAHİSAR / TURKEY | |
| Telephone | +90 (272) 221 12 00 – 01 | |
| Fax | +90 (272) 221 12 02 | |
| e-mail | info@kaptanlar.com.tr | |
| Web Adress | www.kaptanlar.com.tr | |
| Chamber Of Commerce Registration Number | Afyonkarahisar 8977 / 7956 | |
| Tax Office Registration Number | KOCATEPE V.D. 499 011 8384 | |
| Registrated Trade Mark | KAPTANLAR (TPE; 08.10.1992/136020) | |
| TSE HYB Document No | 03-HYB-1657 | |
| ISO 9001:2015 Quality Mang. System Document No | K-QM-4717 | |
| TSE TSEK Document No | 020248-TSEK-01/01 | |
| Company Description | <p>KAPTANLAR MACHINERY AND HYDRAULICS INDUSTRY TRADE LTD. COMPANY has been working on marble quarry and construction equipment since 1970. We aim to become a leader in the industry and a brand in national platform by active sales in both national and international trade. We have an awareness of quality and we follow and use the technological development in our sector. We produce high-tech, economic, long lasting machines. We work customer focused. Using existing experience and capacity, we want to add efficient and effective value for many years to the Turkish machinery sector.</p> | |

USER GUIDE

| Document Code No | Release Date | Revision Date | Revision No |
|------------------|--------------|---------------|-------------|
| CE-11 - 003 | 15.08.2010 | 03.11.2020 | 02 |

This document is KAPTANLAR MACHINERY AND HYDRAULICS INDUSTRY TRADE LTD. COMPANY's. All rights are reserved. No part of this publication may be used or changed without the permission of the publisher. It can not be stored in a system to be used again and can not be reproduced by electronically or mechanical photocopying. Bound copies are invalid. This kind of people and organizations in the legal process is initiated initiatives.

2. MACHINE TECHNICAL INFORMATION ;

2.1. PRODUCT SPECIFICATION :

| | |
|--------------------|---------------------------------------|
| ENGINE TYPE | ELECTRICAL |
| ENGINE POWER | 25 hp, 18,5 kW veya 30 hp, 22 kW |
| ENGINE SPEED | 1500 rev/min (rpm) |
| ENGINE VOLTAGE | 380 V |
| WALKING ENGINE | Automatic Speed Control with Reductor |
| THE WIRE USED | Diamond |
| CUTTING SPEED / HR | 5 -6 m ² surface area/hour |
| CAPACITY | 25 - 35 m |
| WORKING ANGLE | 180 ^o in any position |
| WATER NEEDS | 200 liter/hour |
| PULLEY DIAMETER | 50 cm, 1 unit |
| WEIGHT | 600 kg |
| LENGTH | 3400 mm |
| HEIGHT | 1400 mm |
| WIDTH | 1500 mm |

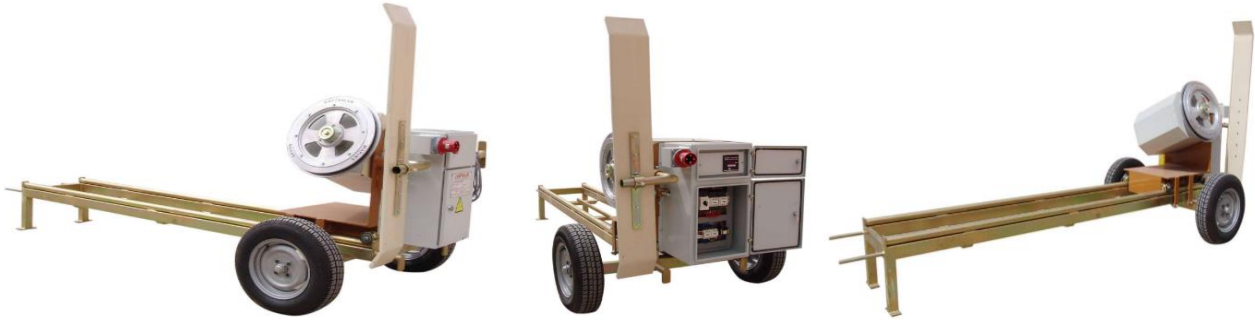
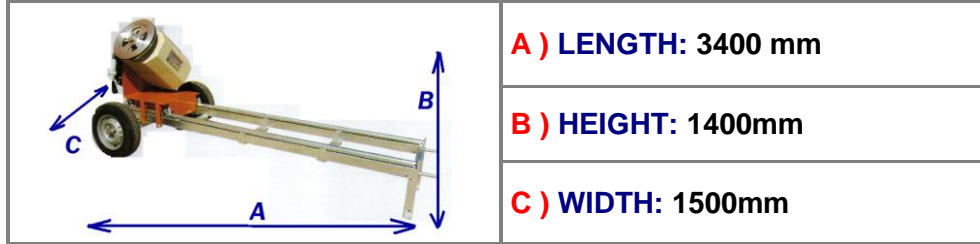
2.2. PRODUCT WARRANTY INFORMATION:

| | |
|---|---|
| REGISTRATED TRADEMARK | KAPTANLAR (TPE; 08.10.1992/136020) |
| GENERAL COMMERCIAL DISCRPTION | AOSM 25 ELECTRICALLY ANGLED AUTOMATIC SIZING MACHINE; The cutting process enables the diamond wire with the help of a pulley to be rotated around the marble block for cutting and separating it. When the machine starts, the motor rotates the shaft and turns the pulley and hence the marble block is cut with the help of diamond wire. The engine is fixed on a car and a pulley connected to the engine shaft is used. The slack in the wire during cutting is automatically removed by the travel motor. Thus, the cutting process is completed. During the cutting process of the electric diamond wire block cutting machine, water is sent to the cutting area with hoses and it can be used with the help of a valve. Thanks to the water, the cutting tool (diamond wire) is prevented from overheating and the marble dust is removed from the cutting area |
| BUSINESS MODEL | AOSM 25 |
| LIFETIME | <u>10 YEARS</u> |
| WARRANTY PERIOD | <u>2 YEARS</u> |
| SERVICE PERIOD | <u>30 working days</u> |
| TPE - INDUSTRIAL DESIGN REGISTRATION DATE, NO | 04.06.2007 - 2007/02922 |
| TPE - PATENT. UTILITY MODEL REGISTRATION DATE, NO | 22.10.2012 – TR2012 / 02293Y |
| CE EC DECLARATION OF CONFORMITY PUBLICATION DATE REGION, NO | 15.08.2010, RVZ.04/ 25.09.2020 EC/KM–2010/CE-05.03 |
| CE PRODUCT LABEL PUBLICATION DATE, NO | 15.08.2010, RVZ.02/ 25.09.2020, CE/09-07 |
| CE PRODUCT SPECIFICATION PUBLICATION DATE, NO | 15.08.2010, RVZ.02/ 25.09.2020, CE-04-02 |
| CE FACTORY PRODUCTION CONTROL CERTIFICATE DATE, NO | 15.03.2012, EC-KM–2010–0001/CPD |

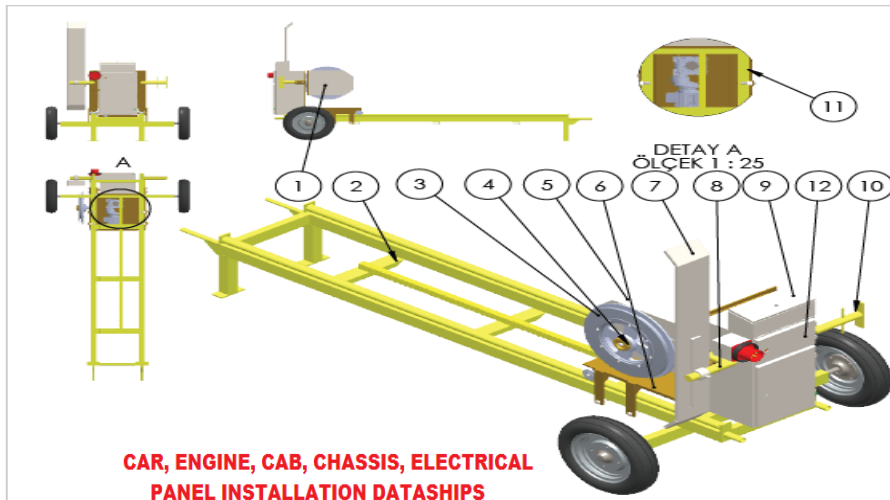
USER GUIDE

| Document Code No | Release Date | Revision Date | Revision No |
|--|--------------|---------------|-------------|
| CE-11 - 003 | 15.08.2010 | 03.11.2020 | 02 |
| <p><i>This document is KAPTANLAR MACHINERY AND HYDRAULICS INDUSTRY TRADE LTD. COMPANY's. All rights are reserved. No part of this publication may be used or changed without the permission of the publisher. It cannot be stored in a system to be used again and cannot be reproduced by electronically or mechanical photocopying. Bound copies are invalid. This kind of people and organizations in the legal process is initiated initiatives.</i></p> | | | |

2.3. MACHINE DIMENSIONS:



2.4. MAIN PARTS OF MACHINE:



| | | | |
|----------|-------------------------------------|-----------|------|
| 12 | PANO | A25-01-12 | 1 |
| 11 | ALK63 0.55KW 5 D/D ÇELİK DİŞLİ RED. | A25-01-11 | 1 |
| 10 | KABLO TAŞIYICI | A25-01-10 | 1 |
| 9 | TAKIM SANDIĞI | A25-01-09 | 1 |
| 8 | MUHAFAZA BORUSU | A25-01-08 | 1 |
| 7 | MUHAFAZA | A25-01-07 | 1 |
| 6 | ARABA MONTAJI | A25-01-06 | 1 |
| 5 | MOTOR KABİNİ | A25-01-05 | 1 |
| 4 | KASNAK PULU | A25-01-04 | 1 |
| 3 | 50 LİK KASNAK | A25-01-03 | 1 |
| 2 | ŞASE MONTAJI | A25-01-02 | 1 |
| 1 | 22KW 30HP 1500D/D GAMAK | A25-01-01 | 1 |
| PARÇA NO | PARÇA İSMİ | TANIM | ADET |

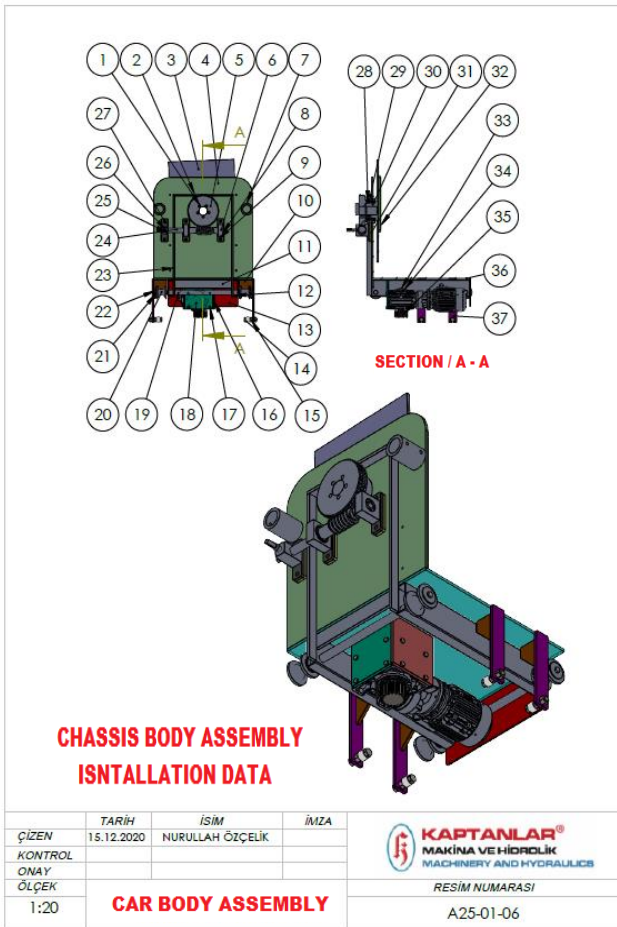
| | | | |
|---------|-----------------------------|------------------|------|
| ÇİZEN | TARİH | İSİM | İMZA |
| KONTROL | 15.12.2020 | NURULLAH ÖZÇELİK | |
| ONAY | | | |
| ÖLÇEK | | | |
| 1:50 | CAR CHASSIS ASSEMBLY | | |

USER GUIDE

| Document Code No | Release Date | Revision Date | Revision No |
|---|--------------|---------------|-------------|
| CE-11 - 003 | 15.08.2010 | 03.11.2020 | 02 |
| <p><i>This document is KAPTANLAR MACHINERY AND HYDRAULICS INDUSTRY TRADE LTD. COMPANY's. All rights are reserved. No part of this publication may be used or changed without the permission of the publisher. Can not be stored in a system to be used again and can not be reproduced by electronically or mechanical photocopying. Bound copies are invalid. This kind of people and organizations in the legal process is initiated initiatives.</i></p> | | | |

2.5. MACHINE TECHNICAL DRAWINGS:

2.5.1. AOSM25 CAR, CHASSIS BODY ASSEMBLY



| 37 | AOSM25 MAKİNA-9 | A25-01-06-37 | 4 |
|----------|------------------------------|------------------|------|
| 36 | AOSM25 MAKİNA-1 | A25-01-06-36 | 1 |
| 35 | PİNYON DİŞLİ | A25-01-06-35 | 1 |
| 34 | ÖZEL PUL | A25-01-06-34 | 1 |
| 33 | M10X20 | A25-01-06-33 | 1 |
| 32 | AOSM25 MAKİNA-11 | A25-01-06-32 | 2 |
| 31 | AOSM25-6 | A25-01-06-31 | 1 |
| 30 | 51118 RULMAN YATAĞI VE GÖBEK | A25-01-06-30 | 1 |
| 29 | 3/8 GRASÖRLÜK VE BORUSU | A25-01-06-29 | 1 |
| 28 | 51118 RULMAN | A25-01-06-28 | 2 |
| 27 | AOSM25 MAKİNA-7 | A25-01-06-27 | 3 |
| 26 | KARE VİDA | A25-01-06-26 | 1 |
| 25 | SABİTLEME KARESİ | A25-01-06-25 | 1 |
| 24 | SONSUZ VİDA | A25-01-06-24 | 1 |
| 23 | 30X10X595 LAMA | A25-01-06-23 | 2 |
| 22 | M10X20 | A25-01-06-22 | 4 |
| 21 | ÖZEL PUL | A25-01-06-21 | 4 |
| 20 | TEKER | A25-01-06-20 | 4 |
| 19 | TEKER MİLİ | A25-01-06-19 | 2 |
| 18 | AOSM25 MAKİNA-4 | A25-01-06-18 | 1 |
| 17 | M8X25 CİVATA VE SOMUN | A25-01-06-17 | 8 |
| 16 | AOSM25 MAKİNA-5 | A25-01-06-16 | 1 |
| 15 | M16X70 CİVATA VE 2 SOMUN | A25-01-06-15 | 4 |
| 14 | TAMPON TEFLON | A25-01-06-14 | 4 |
| 13 | AOSM25 MAKİNA-10 | A25-01-06-13 | 1 |
| 12 | 100X40X3X600 PROFİL | A25-01-06-12 | 2 |
| 11 | 50X10X342 LAMA | A25-01-06-11 | 1 |
| 10 | AOSM25 MAKİNA-8 | A25-01-06-10 | 4 |
| 9 | M12X20 | A25-01-06-09 | 6 |
| 8 | 6205 RULMAN | A25-01-06-08 | 2 |
| 7 | MUHAFAZA BORUSU | A25-01-06-07 | 2 |
| 6 | SONSUZ RULMAN YATAĞI | A25-01-06-06 | 2 |
| 5 | SONSUZ DİŞLİ | A25-01-06-05 | 1 |
| 4 | AOSM25 MAKİNA-2 | A25-01-06-04 | 1 |
| 3 | AOSM25 MAKİNA-3 | A25-01-06-03 | 1 |
| 2 | 30X10X365 LAMA | A25-01-06-02 | 1 |
| 1 | M12X80 SAPLAMA | A25-01-06-01 | 5 |
| PARÇA NO | PARÇA İSMİ | TANIM | ADET |
| ÇİZEN | TARİH | İSİM | İMZA |
| KONTROL | 15.12.2020 | NURULLAH ÖZÇELİK | |
| ONAY | | | |
| ÖLÇEK | | | |
| 1:20 | | | |

KAPTANLAR[®]
MAKİNE VE HİDROLİK
MACHINERY AND HYDRAULICS

RESİM NUMARASI
A25-01-06



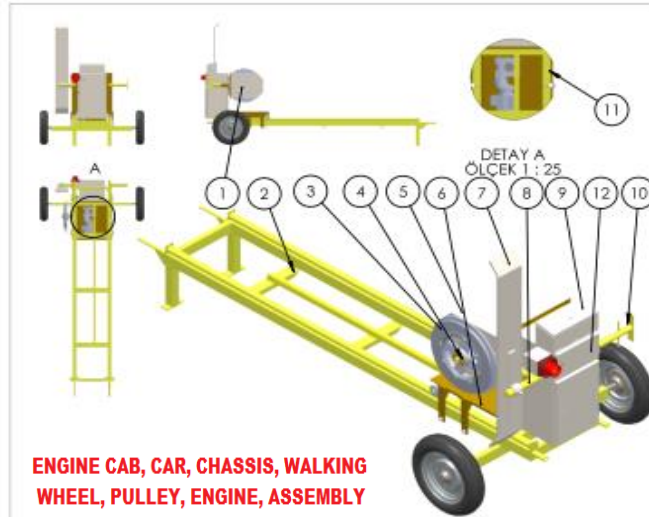
AOSM 25 Electrically Angled Automatic Sizing Machine Technical drawings of the visual image

USER GUIDE

| Document Code No | Release Date | Revision Date | Revision No |
|------------------|--------------|---------------|-------------|
| CE-11 - 003 | 15.08.2010 | 03.11.2020 | 02 |

This document is KAPTANLAR MACHINERY AND HYDRAULICS INDUSTRY TRADE LTD. COMPANY's. All rights are reserved. No part of this publication may be used or changed without the permission of the publisher. Con not be stored in a system to be used again and can not be reproduced by electronically or mechanical photocopying. Bound copies are invalid. This kind of people and organizations in the legal process is initiated initiatives.

2.5.2. AOSM25 CAR, CHASSIS ASSEMBLY



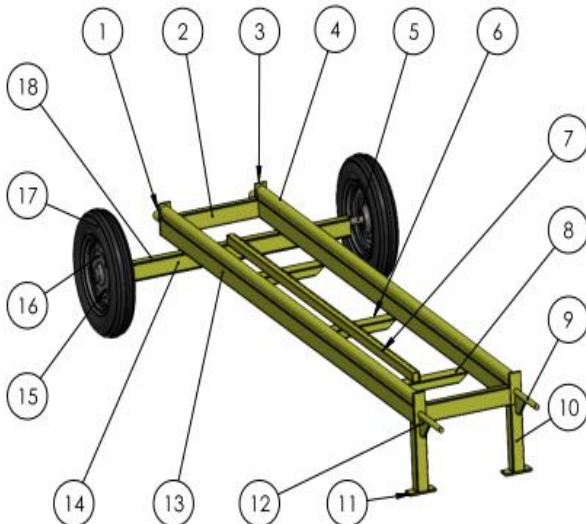
ENGINE CAB, CAR, CHASSIS, WALKING WHEEL, PULLEY, ENGINE, ASSEMBLY

| PARÇA NO | TARİH | İSİM | İMZA | TANIM | ADET |
|----------|-------|-------------------------------------|------|-----------|------|
| 12 | | PANO | | A25-01-12 | 1 |
| 11 | | ALK63 0,55KW 5 D/D ÇELİK DİŞLİ RED. | | A25-01-11 | 1 |
| 10 | | KABLO TAŞIYICI | | A25-01-10 | 1 |
| 9 | | TAKIM SANDIĞI | | A25-01-09 | 1 |
| 8 | | MUHAFAZA BORUSU | | A25-01-08 | 1 |
| 7 | | MUHAFAZA | | A25-01-07 | 1 |
| 6 | | ARABA MONTAJI | | A25-01-06 | 1 |
| 5 | | MOTOR KABİNİ | | A25-01-05 | 1 |
| 4 | | KASNAK PULU | | A25-01-04 | 1 |
| 3 | | 50 LİK KASNAK | | A25-01-03 | 1 |
| 2 | | ŞASE MONTAJI | | A25-01-02 | 1 |
| 1 | | 22KW 30HP 1500D/D GAMAK | | A25-01-01 | 1 |

| PARÇA NO | TARİH | İSİM | İMZA | TANIM | ADET |
|----------|-------|-------------------------------------|------|-----------|------|
| 12 | | PANO | | A25-01-12 | 1 |
| 11 | | ALK63 0,55KW 5 D/D ÇELİK DİŞLİ RED. | | A25-01-11 | 1 |
| 10 | | KABLO TAŞIYICI | | A25-01-10 | 1 |
| 9 | | TAKIM SANDIĞI | | A25-01-09 | 1 |
| 8 | | MUHAFAZA BORUSU | | A25-01-08 | 1 |
| 7 | | MUHAFAZA | | A25-01-07 | 1 |
| 6 | | ARABA MONTAJI | | A25-01-06 | 1 |
| 5 | | MOTOR KABİNİ | | A25-01-05 | 1 |
| 4 | | KASNAK PULU | | A25-01-04 | 1 |
| 3 | | 50 LİK KASNAK | | A25-01-03 | 1 |
| 2 | | ŞASE MONTAJI | | A25-01-02 | 1 |
| 1 | | 22KW 30HP 1500D/D GAMAK | | A25-01-01 | 1 |

CAR BODY ASSEMBLY

BODY ASSEMBLY



| PARÇA NO | TARİH | İSİM | İMZA | TANIM | ADET |
|----------|-------|------------------------|------|--------------|------|
| 18 | | 80 NPU 120 CM | | A25-01-02-18 | 1 |
| 17 | | 13" LASTİK | | A25-01-02-17 | 2 |
| 16 | | 13" JANT | | A25-01-02-16 | 2 |
| 15 | | M12X20 AKB | | A25-01-02-15 | 8 |
| 14 | | KAPATMA SACI | | A25-01-02-14 | 1 |
| 13 | | 60X80X3 PROFİL 3METRE | | A25-01-02-13 | 2 |
| 12 | | BAYRAK | | A25-01-02-12 | 2 |
| 11 | | 60X10X140 LAMA DEMİRİ | | A25-01-02-11 | 2 |
| 10 | | 60X60 PROFİL 30 CM | | A25-01-02-10 | 2 |
| 9 | | Q25 MİL 25CM | | A25-01-02-09 | 2 |
| 8 | | SWİTÇ SINIR LAMASI | | A25-01-02-08 | 2 |
| 7 | | KRAMİYER DİŞLİ 2,2M | | A25-01-02-07 | 1 |
| 6 | | 40X80X3 PROFİL 46,5 CM | | A25-01-02-06 | 3 |
| 5 | | TOFAŞ PORYASI | | A25-01-02-05 | 2 |
| 4 | | 1 1/2" BORU 3METRE | | A25-01-02-04 | 2 |
| 3 | | 60X10X140 LAMA DEMİRİ | | A25-01-02-03 | 4 |
| 2 | | 40X80X3X450 PROFİL | | A25-01-02-02 | 2 |
| 1 | | 1 1/2" BORU 10CM | | A25-01-02-01 | 2 |

| PARÇA NO | TARİH | İSİM | İMZA | TANIM | ADET |
|----------|-------|------------------------|------|--------------|------|
| 18 | | 80 NPU 120 CM | | A25-01-02-18 | 1 |
| 17 | | 13" LASTİK | | A25-01-02-17 | 2 |
| 16 | | 13" JANT | | A25-01-02-16 | 2 |
| 15 | | M12X20 AKB | | A25-01-02-15 | 8 |
| 14 | | KAPATMA SACI | | A25-01-02-14 | 1 |
| 13 | | 60X80X3 PROFİL 3METRE | | A25-01-02-13 | 2 |
| 12 | | BAYRAK | | A25-01-02-12 | 2 |
| 11 | | 60X10X140 LAMA DEMİRİ | | A25-01-02-11 | 2 |
| 10 | | 60X60 PROFİL 30 CM | | A25-01-02-10 | 2 |
| 9 | | Q25 MİL 25CM | | A25-01-02-09 | 2 |
| 8 | | SWİTÇ SINIR LAMASI | | A25-01-02-08 | 2 |
| 7 | | KRAMİYER DİŞLİ 2,2M | | A25-01-02-07 | 1 |
| 6 | | 40X80X3 PROFİL 46,5 CM | | A25-01-02-06 | 3 |
| 5 | | TOFAŞ PORYASI | | A25-01-02-05 | 2 |
| 4 | | 1 1/2" BORU 3METRE | | A25-01-02-04 | 2 |
| 3 | | 60X10X140 LAMA DEMİRİ | | A25-01-02-03 | 4 |
| 2 | | 40X80X3X450 PROFİL | | A25-01-02-02 | 2 |
| 1 | | 1 1/2" BORU 10CM | | A25-01-02-01 | 2 |

CHASSIS, WALKING KIT, HUB, WHEEL, ASSEMBLY

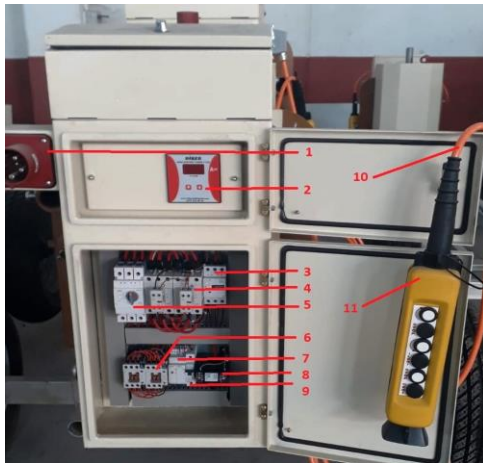
USER GUIDE

| Document Code No | Release Date | Revision Date | Revision No |
|--|--------------|---------------|-------------|
| CE-11 - 003 | 15.08.2010 | 03.11.2020 | 02 |
| This document is KAPTANLAR MACHINERY AND HYDRAULICS INDUSTRY TRADE LTD. COMPANY's. All rights are reserved. No part of this publication may be used or changed without the permission of the publisher. Con not be stored in a system to be used again and con not be reproduced by electronically or mechanical photocopying. Bound copies are invalid. This kind of people and organizations in the legal process is initiated initiatives. | | | |

2.6. ELECTRICAL CIRCUIT DIAGRAMS;

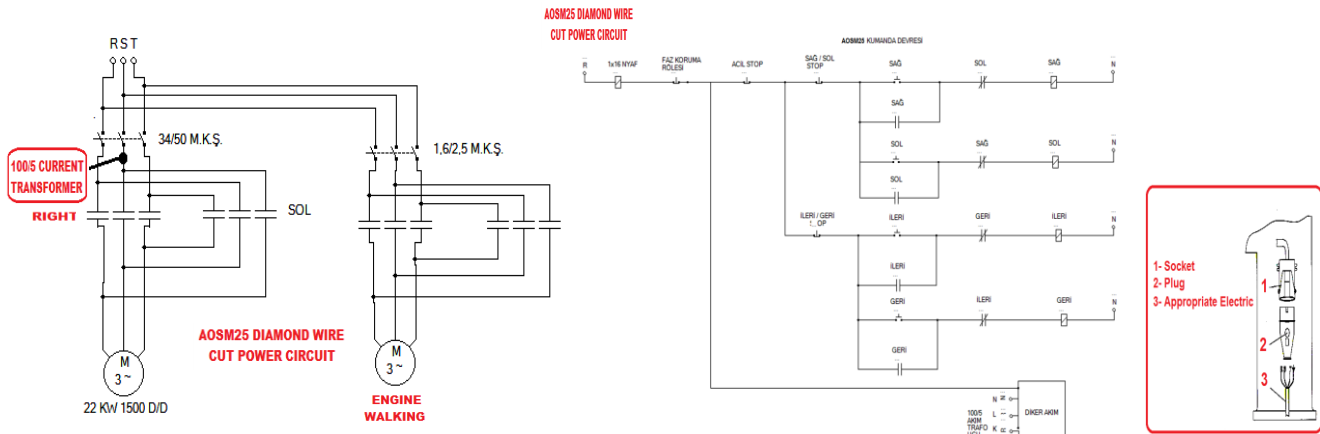
2.6.1. CIRCUIT DIAGRAM:

AOSM25 ELECTRICAL PANEL, MATERIAL LIST



| PART NO | PART NAME |
|---------|----------------------------------|
| 1 | 5X63 MACHINE PLUG |
| 2 | TURBO 3 PHASE AMPERMETER |
| 3 | 1.6-2.5 ENGINE PROTECTION SWITCH |
| 4 | MC65 CONTACTOR |
| 5 | 34-50 ENGINE PROTECTION SWITCH |
| 6 | MC18 CONTACTOR |
| 7 | TIMER |
| 8 | 100/5 CURRENT TRANSFORMER |
| 9 | 1X16 FUSE |
| 10 | 1X10 CONTROL CABLE |
| 11 | 6 BUTTON CONTROLLER |
| 12 | PHASE PROTECTION RELAY |

2.6.2. ELECTRICAL CONNECTION METHOD:



3. MATTERS TO BE CONSIDERED BEFORE USE;

3.1. GENERAL INFORMATION BEFORE USE:

3.1.1. During the warranty coverage period, no part of AOSM 40 Electrically Angled Automatic Sizing Machine, which is delivered as Robust and Quality Controlled and Approved to the Customer can be changed without the knowledge of the manufacturer, except by the relevant authorized persons. No additions or changes can be made to or removed from all its equipment. The machine that has fallen into such situations is out of warranty and the manufacturer does not accept responsibility. AOSM 25 Electrically Angled Automatic Sizing Machine's format and visual changes should not be made on it. Such changes cause it to be out of warranty in accordance with legal regulations. The manufacturer is not responsible for machines exposed to such situations. The machine exposed to such situations is out of warranty.

USER GUIDE

| Document Code No | Release Date | Revision Date | Revision No |
|---|--------------|---------------|-------------|
| CE-11 - 003 | 15.08.2010 | 03.11.2020 | 02 |
| <i>This document is KAPTANLAR MACHINERY AND HYDRAULICS INDUSTRY TRADE LTD. COMPANY's. All rights are reserved. No part of this publication may be used or changed without the permission of the publisher. It cannot be stored in a system to be used again and cannot be reproduced by electronically or mechanical photocopying. Bound copies are invalid. This kind of people and organizations in the legal process is initiated initiatives.</i> | | | |

3.1.2. The manufacturer is not responsible for malfunctions, problems and accidents caused by improper use of AOSM 25 Electrically Angled Automatic Sizing Machine and non-compliance with the instructions. Machines that occur in these situations are out of warranty and technical service repair and necessary spare part replacements belong to the customers

3.1.3. Complying with all the rules and safety precautions mentioned in the user manual, all the issues explained, the issues mentioned in the maintenance user manuals are in compliance with all legal regulations in terms of human health, life and property safety.

3.1.4. The substances included in the User Guide are presented for your information for safety of AOSM 40 Electrically Angled Automatic Sizing Machine bought, your safety and your users's safety in terms of crafted to conform, all legal obligations fulfilled, subject to Quality and CE Marked Product Safety ISO 9001:2015 Quality management system Accredited System Certified, **TSE/TSEK.**

3.1.5. While using AOSM 25 Electrically Angled Automatic Sizing Machine, you encounter problems or situations that you are not sure about, you should inform the authorized service of our organization without intervening.

3.1.6. This User's Guide does not contain repair information. In case of any problem, you should only contact our authorized service.

3.2. CUSTOMER SERVICES:

Once customer sales realized, dispatch and delivery operations of AOSM 25 Electrically Angled Automatic Sizing Machine are carried out after quality final and it is delivered to the customer or its authorized representative, and the shipment is carried out by private transport companies.

About the use of the machine and the points to be considered, warranty conditions, maintenance, repair, cleaning, etc. general and technical information on the subject and information on connection types, Pre-delivery trainings are given to the relevant technical and user personnel of the user company on all issues that should be considered during use and in case of emergency.

3.3. SERVICE ACTIVITIES:

Servicing of all of our machines produced will be performed by our technical team, with the full address and contact information below, in accordance with the rules of this user guide during the warranty period and after the end of the warranty, according to the rules of the Certificate of Competence and TSE Certificate of After Sales Services.

3.4. SCOPE OF WARRANTY:

Kaptanlar Machinery and Hydraulic Industry Trade Limited Company gives a two-year warranty for all the machines produced. Parts that fail or deteriorate within the warranty period are examined and recorded by authorized service technical personnel. If the resulting malfunction or deterioration is due to manufacturing faults, the necessary parts are replaced and/or repaired and made usable. User errors are evaluated as out of warranty and service provided. All materials and spare parts that will change out of warranty are delivered to the customer as soon as possible with the service process.

3.5. DOMESTIC DEALERS:

Central: KAPTANLAR MACHINERY AND HYDRAULIC INDUSTRY TRADE LIMITED COMPANY
Address: ORGANIZED INDUSTRIAL ZONE 4. STREET NO: 3 AFYONKARAHİSAR / TURKEY
Phonel: +90(272) 221 12 00 - 01
Fax: +90(272) 221 12 02
e-mail: info@kaptanlar.com.tr
Web Address: www.kaptanlar.com.tr

USER GUIDE

| Document Code No | Release Date | Revision Date | Revision No |
|---|--------------|---------------|-------------|
| CE-11 - 003 | 15.08.2010 | 03.11.2020 | 02 |
| <i>This document is KAPTANLAR MACHINERY AND HYDRAULICS INDUSTRY TRADE LTD. COMPANY's. All rights are reserved. No part of this publication may be used or changed without the permission of the publisher. It can not be stored in a system to be used again and can not be reproduced by electronically or mechanical photocopying. Bound copies are invalid. This kind of people and organizations in the legal process is initiated initiatives.</i> | | | |

Department:
Address:
Phonel:
Fax:
e-mail:
Web Address:

3.6. MANUFACTURER AND AUTHORIZED SERVICE INFORMATION:

AUTHORIZED SERVICE STATION SERVICE LOCATION AND SPARE PARTS SUPPLY ADDRESSES



KAPTANLAR

Central: KAPTANLAR MACHINERY AND HYDRAULIC INDUSTRY TRADE LIMITED COMPANY
Address: ORGANIZED INDUSTRIAL ZONE 4. STREET NO: 3 AFYONKARAHİSAR / TURKEY
Phonel: +90(272) 221 12 00 - 01
Fax: +90(272) 221 12 02
e-mail: info@kaptanlar.com.tr
Web Address: www.kaptanlar.com.tr
Working Hours: Weekdays 09.00 – 18.00

Customer Support Line



+90 272 221 12 01 & 0 533 309 45 92

4. USE:

4.1. BASIC OPERATION FEATURES:

- 4.1.1. AOSM 25 Electrically Angled Automatic Sizing Machine is manufacture according to the safety rules of the relevant standards and regulations.
- 4.1.2. The user guide must be read before using the machine.
- 4.1.3. AOSM 25 Electrically Angled Automatic Sizing Machine should be used only for the purpose of production.
- 4.1.4. The machine must be used by the person in charge, and the responsible person must receive training about the machine, must know the machine, must have a good command of the working principles, must be aware of how to respond in an emergency, and must be aware of the risks that may occur during the operation of the machine. Machines should never be used by personnel who do not have this knowledge and competence.
- 4.1.5. In case of any functional irregularity, machine equipment and design changes, deterioration, especially changes that do not comply with the machine working principles and safe working efficiency, the machine should not be operated and these problems should be eliminated by taking immediate action.
- 4.1.6. Before starting to use AOSM 25 Electrically Angled Automatic Sizing Machine, the machine manager should check before each use that the waterway connected to the machine is open, the existing electrical connections are in working condition, the cutting diamond wire connection is intact and in working condition.
- 4.1.6. Our Company (Manufacturer Company of the AOSM 25 Electrically Angled Automatic Sizing Machine in use) will not be liable in case of failure in obeying the rules explained above.

4.2. TRANSPORTATION OF THE MACHINE AND PLACEMENT IN THE WORK AREA:

- 4.2.1. The vehicles to carry the machine must be in a position suitable for the dimensions of the machine (see Page 2, Item 2.1), that can take the weight, length and volume of the machine.

USER GUIDE

| Document Code No | Release Date | Revision Date | Revision No |
|------------------|--------------|---------------|-------------|
| CE-11 - 003 | 15.08.2010 | 03.11.2020 | 02 |

This document is KAPTANLAR MACHINERY AND HYDRAULICS INDUSTRY TRADE LTD. COMPANY's. All rights are reserved. No part of this publication may be used or changed without the permission of the publisher. Con not be stored in a system to be used again and con not be reproduced by electronically or mechanical photocopying. Bound copies are invalid. This kind of people and organizations in the legal process is initiated initiatives.

- 4.2.2.** During the loading and unloading of the machine to the transport vehicle, the transport hook on the main body must be used. (See page 3, item 2.3 figure no. 3.) The machine can be easily transported by means of the chain rope that is passed through this carrying hook with a lifting capacity of minimum 600 Kg from the point shown. During the lifting, loading, carrying and lowering of the machine, careful action should be taken not to damage any part or part of it.
- 4.2.3.** The machine must be immobilized during the transportation by placing resistant wedges to the bottom.
- 4.2.4.** Necessary measures should be taken to prevent the transport vehicles and containers from taking in water, moisture or precipitation. The vehicles must be firm and mustn't change shape under load.
- 4.2.5.** Regulation of the legal documents and insurance certificates prior to shipping is customer's responsibility.
- 4.2.6.** Measures are taken by our staff during the installation process and pre-shipment controls are made by us. Our company isn't responsible for the negativities that may occur during shipping.
- 4.2.7.** The customer must control if there is a problem occurred during the shipping before receiving the delivery. If there is a problem, the customer should contact with the insurance company. Our company will not be responsible.
- 4.2.8.** The area where the machine will be placed must be firm and mustn't change shape under load. The area should be in the appropriate size. After placing, the machine should be in square. At the each side of the machine, a minimum 3 m space and at the back side, 2 m space should be left. A 10 cm. circled protection tape must be created.
- 4.2.9.** The conditions explained above should be checked certainly by the customer's competent staff.
- 4.2.10.** Our company will not be liable in case of failure in obeying rules explained above and the problematic machines will be out of guarantee.

4.3. DAILY OPERATIONS OF THE MACHINE:

- 4.3.1.** AOSM 25 Electric Angle Automatic Counting Machine; the daily running operation must be initiated by the trained personnel with sufficient knowledge. Competent staff must certainly read the users guide and obey the rules.
- 4.3.2.** Before starting daily operations, the machine working area and its environment should be clean.
- 4.3.3.** The electrical connection of the machine must be made by qualified personnel in accordance with its purpose. The electrical connection of the machine must be made in such a way that it reaches the control panel and the electrical panel (see Page 6 Item 2.6.2). The supply of the machine panel is attached. The operating direction is given by the switch.
- 4.3.4.** In the activity area, the machine is placed in such a way that it can cut in accordance with the area to be cut. All settings are checked again before running.
- 4.3.5.** The diamond wire that will perform the cutting process is checked. Adjustment is made from the ampermeter according to the existing wire and the area to be cut, ensuring that it is in the position attached to the pulley.
- 4.3.6.** The working process is started by pressing the walking start button and by determining the walking direction after the pulley takes the required speed with the start of the machine working process.
- 4.3.7.** The machine starts working in the selected current direction. When the activity is finished, the machine is stopped and then the necessary maintenance control is done by the authorized person. It is started to operate again during the day with the operating system described above.
- 4.3.8.** AOSM 25 Electric Angle Automatic Counting Machine's Control Panel Elements are listed in the material on Page 6 Circuit Diagram in Item 2.6: its electrical panel is shown.

USER GUIDE

| Document Code No | Release Date | Revision Date | Revision No |
|---|--------------|---------------|-------------|
| CE-11 - 003 | 15.08.2010 | 03.11.2020 | 02 |
| <i>This document is KAPTANLAR MACHINERY AND HYDRAULICS INDUSTRY TRADE LTD. COMPANY's. All rights are reserved. No part of this publication may be used or changed without the permission of the publisher. It can not be stored in a system to be used again and can not be reproduced by electronically or mechanical photocopying. Bound copies are invalid. This kind of people and organizations in the legal process is initiated initiatives.</i> | | | |

4.3.9. Our company cannot be held responsible if the above-described items are not provided. Machines exposed to this position are out of warranty.

4.4. MACHINE MAINTENANCE INFORMATION AND SETTINGS;

4.4.1. GENERAL MAINTENANCE RULES;

4.4.1.1. The users of the machine, cleaning and maintenance responsibilities should be defined and maintenance times should be planned by each user company, the cleaning and maintenance of the entire machine after each use must be checked for conformity by the authorities in accordance with the plans.

4.4.1.2. Before cleaning, maintenance and troubleshooting, all operating buttons must be brought to the stop position, the emergency stop button must be pressed, the main machine switch should be turned off and the machine should not be started before the maintenance is completed.

4.4.1.3. A visible size (**MAINTENANCE**) sign should be hung by the responsible person performing cleaning, maintenance, troubleshooting, or repair in order to prevent any other intervention or operation of the machine.

4.4.1.4. Electricity of the machine should be disconnected from the main line before cleaning, maintenance and troubleshooting. Wait for 5-6 minutes before maintenance and troubleshooting allowing for stopping of the moving parts and for discharging the static electricity in the machine. The machine's electrical grounding connections must not be interrupted after disconnecting and must be checked.

4.4.1.5. Personnel to perform cleaning, maintenance and troubleshooting must be authorized by the user company and must have received on-the-job training.

4.4.1.6. The user company should create maintenance cards by adhering to machine related plans and machine information and maintenance dates on these cards and warranty periods, changed part information which is changed under the machine warranty or out of warranty, must be present.

4.4.1.7. During cleaning, maintenance and troubleshooting, care should be taken not to damage the machine safety system. At the end of all activities, when maintenance is carried out, it should be checked whether the security system is working or not.

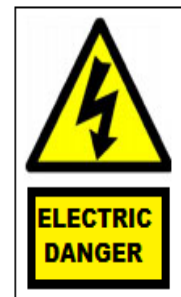
4.4.1.8. During cleaning, maintenance and troubleshooting, encountering a situation that will cause serious problems with the machine or a malfunction in any part of it, In the event of a problem that will cause wear and tear, malfunctions during operation in the future, it is absolutely necessary to provide support by informing the authorized service technical staff according to the authorized service information given below.

4.4.2. ELECTRICAL SYSTEM MAINTENANCE INFORMATION:

4.4.2.1. Electrical control panel must be technically checked before every occupation.

4.4.2.2. Information on electrical and circuit diagrams of AOSM 25 Electrically Angled Automatic Sizing Machine is presented on pages 5 - 6, item 2.6. They were informed in detail.

4.4.2.3 In the unit (control panel) that ensures the operation of the electrical system of the machine, if there is a part to be replaced when necessary during the maintenance, cleaning and troubleshooting stages, the electrical connection



USER GUIDE

| Document Code No | Release Date | Revision Date | Revision No |
|--|--------------|---------------|-------------|
| CE-11 - 003 | 15.08.2010 | 03.11.2020 | 02 |
| <i>This document is KAPTANLAR MACHINERY AND HYDRAULICS INDUSTRY TRADE LTD. COMPANY's. All rights are reserved. No part of this publication may be used or changed without the permission of the publisher. Con not be stored in a system to be used again and con not be reproduced by electronically or mechanical photocopying. Bound copies are invalid. This kind of people and organizations in the legal process is initiated initiatives.</i> | | | |

must be cut off and the activity must be carried out by checking it by competent personnel. A visible sign (**MAINTENANCE IS AVAILABLE**) should be hung on the control panel by the person responsible for electrical maintenance or repair of malfunctions in order to prevent any intervention or operation by others.

4.4.2.4. In case of malfunctions related to the electrical system, especially part changes within the scope of the warranty period, it is absolutely necessary to inform the authorized service technical staff according to the authorized service information given below and to obtain support.

4.4.2.5. All electrical components and units of the machine should be subjected to general maintenance, cleaning and control every six months, and the observations should be recorded with a maintenance card.

4.4.3. MECHANICAL MAINTENANCE INFORMATION:

4.4.3.1. All rails of the machine should be cleaned daily and proper walking operation should be provided.

4.4.3.2. Before each work, all mechanical parts must be visually checked by the responsible person and if there is any nonconformity, it must be corrected.

4.4.3.3. The pulley bolts of the machine should be checked.

4.4.3.4. The machine operator should always check the functions of all the buttons on the control panel.

4.4.3.5. It must be checked before every work whether sufficient water is supplied to the water valves for the purpose of cooling the cutting wires, and if there is any blockage, the waterways must be cleaned and sufficient flow must be ensured by checking with pressure.

4.4.3.6. After the operator completes his work on the machine after each work, the workpiece wastes on the machine, dust, dirt, any-foreign materials etc. must be cleaned and the machine should be ready for reuse. In the meantime, if there is any nonconformity observed in the machine, the maintenance and repair person should be informed. If the issue is a problem that cannot be remedied by the responsible person, technical support should be provided by contacting our authorized service.

4.4.3.7. User companies that own the machine must create an instruction and an annual maintenance plan for the machine, and must include maintenance, repair, cleaning, usage information and periods, and maintenance periods.

4.4.3.8. During the maintenance of the machine, water, oil, spillage of liquid substances etc. to the electrical components and control panels must be prevented.

4.4.4. MACHINE LUBRICATION INFORMATION:

4.4.4.1. The AOSM 25 Electrically Angled Automatic Sizing Machine must be lubricated once a month by the person responsible for lubrication with greases.

4.4.4.2. The oils to be used;

a) Rubberized grease must be applied to the car reels.

b) Grease must be applied to the bearings in the drum bearings.

4.4.4.3. After each cutting, the pulley and walking rails must be checked and cleaned.

4.4.4.4. During the lubrication maintenance activity, the relevant oils should not contaminate the electrical components.

4.4.5. POSSIBLE FAULTS, CAUSES AND SOLUTIONS:

4.4.5.1. If the machine cannot find the speed you want;

a) Electric supply power is weak.

b) The cutting wire used is excessive. The wire may not be rotating.



USER GUIDE

| Document Code No | Release Date | Revision Date | Revision No |
|--|--------------|---------------|-------------|
| CE-11 - 003 | 15.08.2010 | 03.11.2020 | 02 |
| <i>This document is KAPTANLAR MACHINERY AND HYDRAULICS INDUSTRY TRADE LTD. COMPANY's. All rights are reserved. No part of this publication may be used or changed without the permission of the publisher. Con not be stored in a system to be used again and con not be reproduced by electronically or mechanical photocopying. Bound copies are invalid. This kind of people and organizations in the legal process is initiated initiatives.</i> | | | |

4.4.5.2. If the machine is running but not walking;

- a) There may be a problem with the travel mechanism. (congestion, dirt, etc.)
- b) The motor may be burnt or broken.

4.4.5.3. If the pulley rotates unbalanced;

- a) It is possible that the original pulley may have changed.
- b) The pulley attachment bolt may be loose.
- c) The pulley may have been hit during operation.

4.4.5.5. When faced with possible malfunction related to the reasons mentioned above, company maintenance and repair supervisor can correct the malfunctions duly or you can get technical support from our authorized service. If you experience any malfunction or negativity other than these, you can ask for support from our authorized service.

4.4.5.6. In the event of malfunctions occurring in the machines covered by the guarantee, if the user company reaches the solution of the malfunctions by its own means without notifying our authorized service, or if any part is changed, the relevant machine is out of the guarantee and our company (manufacturer) cannot be held responsible.



5. SAFETY AND REQUIRED WARNING INFORMATION:

* To persons and organizations that will own this machine, renters, responsible users, working personnel, temporary users, user subcontractors, maintenance and repair supervisors; It is a general safety requirement to apply and comply with the mandatory conditions to be complied with as per the ISG Law, Related Necessary Legislations and all plans, instructions, lists, warning notices and working conditions defined in accordance with the Occupational Health and Safety Law in the company (in the area of use).

5.1. GENERAL SAFETY RULES:

5.1.1. Personnel who will use and maintain the machine has the age in accordance with the age limit determined by the laws, has acquired knowledge with the machine, is received the necessary training, knows his personal responsibilities. It is a legal requirement to have been trained in machinery and first aid in emergencies. It is absolutely essential that the responsible persons who will work with the machine have this competence.

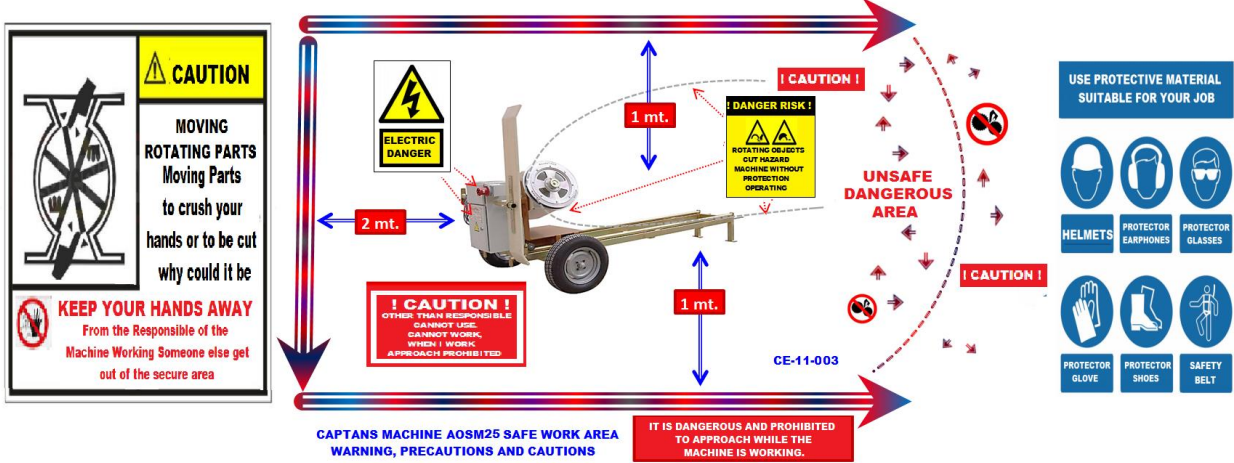
5.1.2. Operators or technical personnel, responsible persons, who will operate the machine and repair electrical technical maintenance or malfunctions ust have a competent staff, must receive detailed technical training about the machine, attendance must be absolutely necessary during the first start-up and test processes; should be able to read and understand the user manual and inform third parties when necessary.

5.1.3. This Machine user manual should always be in a safe and easily accessible place next to the machine. This manual must be read by those who will directly or indirectly work on the machine.

5.1.4. During work of AOSM 25 Electrically Angled Automatic Sizing Machine, no person other than those responsible should approach, and absolutely no living things should be allowed into the safe working area specified below. Persons in charge should not climb on top of the machine while working; no limbs or foreign parts, tools or materials should be inserted into the closed areas of the machine nor into the cutting and moving mechanisms.

USER GUIDE

| Document Code No | Release Date | Revision Date | Revision No |
|---|--------------|---------------|-------------|
| CE-11 - 003 | 15.08.2010 | 03.11.2020 | 02 |
| <p><i>This document is KAPTANLAR MACHINERY AND HYDRAULICS INDUSTRY TRADE LTD. COMPANY's. All rights are reserved. No part of this publication may be used or changed without the permission of the publisher. Con not be stored in a system to be used again and con not be reproduced by electronically or mechanical photocopying. Bound copies are invalid. This kind of people and organizations in the legal process is initiated initiatives.</i></p> | | | |



(SAFE WORK AREA)

In the safe working area specified in the upper diagram, in the area (1m), no one other than the operators whose responsibility is assigned to the safe work area can enter the working time. In cases where it is necessary to enter this area, it is absolutely necessary to stop machine. This area is entered after making sure that all moving parts and mechanisms are stopped.

5.1.5. During all machine maintenance, cleaning and repair activities, it must be ensured that the electrical circuit is closed and cut.

5.1.6. During the operation of the machine, accidents such as cutting, crushing, impact, scratching may occur in any living part, it is a legal requirement that all personnel and other persons comply with the warning rules and signs on the machine and below in order to avoid these accidents.

5.1.7. AOSM 25 Electrically Angled Automatic Sizing of the Machine ensuring safe working activities, technical and safe competencies, avoiding any negativity or accidents during working in the purchasing establishments. Our machine, which was produced in accordance with the following regulations and standards with the aim of minimizing possible negativities, is delivered to you after all controls are carried out, and it has been conveyed to you as information in order to create a safe working environment.

5.1.8. In case of a possible problem that may occur in the electrical system of the machine or during the operation of the machine, immediately turn off the machine with the Stop button.

- 2006/42 EC Machinery Safety Directive
- 2006/95/AT- 2006/95/EC Low Voltage Directive (LVD)
- TSEK Product Certificate Criteria, CE Marking Regulation, İ.S.G. law, F.U.K. requirements
- TS EN ISO 12100:2010 - 2011 Machinery Safety – General Principles for Design – Risk Values and Reduction
- TS EN ISO 12100 –1 Safety in Machinery, Basic Concepts, Principles for Design, T. Terminology, Methodology
- TSEN ISO 12100 –2 Safety in Machinery, Basic Concepts, General Principles for Design, B.2 Technical Principles
- TS EN ISO 13850 Machinery Safety, Emergency Stop Equipment, Design Principles
- TS EN 953+A:2011 ∞ TS EN ISO 14120 Safety in Machinery - Protectors - General specifications for construction
- TS EN 6020 4–1 Safety in Machinery, Electrical Equipment of Machines Part: 1 General rules
- TS EN ISO 4414 Safety and General Rules for Machinery - Fluid Power Systems, Components

USER GUIDE

| Document Code No | Release Date | Revision Date | Revision No |
|---|--------------|---------------|-------------|
| CE-11 - 003 | 15.08.2010 | 03.11.2020 | 02 |
| <i>This document is KAPTANLAR MACHINERY AND HYDRAULICS INDUSTRY TRADE LTD. COMPANY's. All rights are reserved. No part of this publication may be used or changed without the permission of the publisher. It may not be stored in a system to be used again and may not be reproduced by electronically or mechanical photocopying. Bound copies are invalid. This kind of people and organizations in the legal process is initiated initiatives.</i> | | | |

5.2. WARNING AND CAUTION INFORMATION:



**In order to provide a safe working environment for the safety of machine buyers, all users and those who are indirectly in the working environment, and to prevent possible accidents and risks, the necessary safety warnings are listed below in this user manual and necessary safety, warning, prohibition signs are indicated.*

5.2.1. Before using the machine, read and understand the user manual. Comply with all Occupational Health and Safety Instruction Plan and work order lists of the area of use. Be sure to comply with all the items in this user manual. Read and inform all concerned about the working environment. Keep this user manual in an accessible place next to the machine. Be sure to adhere to this User Guide. Be sure to warn those who do not follow the guidelines.

5.2.2. In case of moving the machine to the working area or changing its location for any reason, in order not to be exposed to such risks of accident, possible crushing injury, etc., these activities should be carried out by authorized persons with business knowledge. During this work, it is strictly forbidden for anyone to approach the boundaries of the Safe Working Area (see 5.1.4.) except those in charge.

5.2.3. For safe operation by users during machine operation, breakdown and maintenance activities, make sure to use protective materials according to the working activity.

5.2.4. Do not operate the machine without making general checks without making sure that the machine parts and all equipment are mounted.

5.2.5. No personnel, other than the responsible person who has received training, can use the machine, do the maintenance, perform repair and fault activities. Our technical staff will provide orientation and information training to users of the each purchased machine.

5.2.6. Use clothing suitable for working while the machine is working; loose dresses are risky for your working safety. Do not wear.

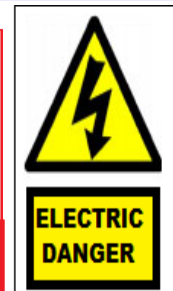
5.2.7. Do not touch the moving parts while the machine is working. The machine should not be interfered with the wires during cutting. Do not put your hands and arms in the movement zone of the car. In the meantime, occupational accident hazard rate is high for crushing, cutting, etc.

5.2.8. Do not touch electrical components during machine operation, and do not open the cover of the electrical panel. Electricity and high voltage can cause serious injury or death.

Therefore, Cut off the power at the switch before maintenance and troubleshooting, etc. Make sure that the electrical input of the machine is cut off.

5.2.9. In the event of a possible danger during machine operation, stop the machine immediately. Do not operate the machine until the danger has been removed.

5.2.10. Do not engage in such activities of leaning, maintenance, adjustment, etc.



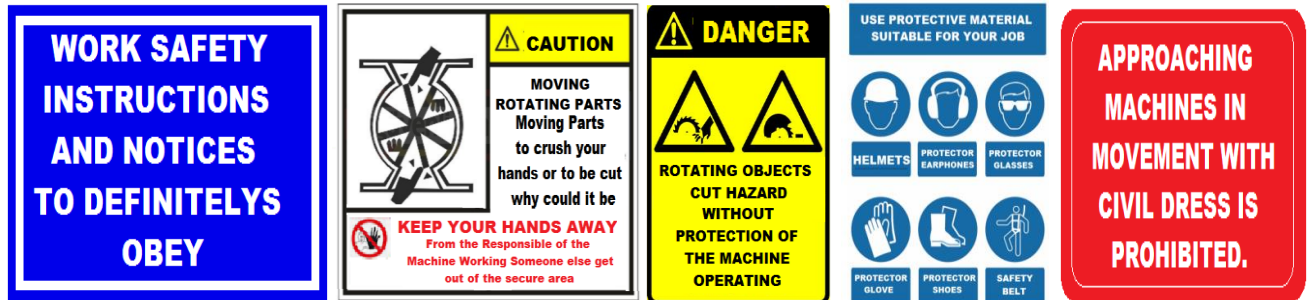
USER GUIDE

| Document Code No | Release Date | Revision Date | Revision No |
|--|--------------|---------------|-------------|
| CE-11 - 003 | 15.08.2010 | 03.11.2020 | 02 |
| <p><i>This document is KAPTANLAR MACHINERY AND HYDRAULICS INDUSTRY TRADE LTD. COMPANY's. All rights are reserved. No part of this publication may be used or changed without the permission of the publisher. It can not be stored in a system to be used again and can not be reproduced by electronically or mechanical photocopying. Bound copies are invalid. This kind of people and organizations in the legal process is initiated initiatives.</i></p> | | | |

while the machine is running. It is absolutely dangerous for your safety.

5.2.11. Never operate the machine without being responsible without taking all safety precautions. Do not forget that inattention and ignorance bring accidents!

5.3. AOSM 25 Electrically Angled Automatic Sizing Machine The Precautionary, Warning and Prohibition Signs that should be in the work area are listed below.



5.4. AOSM 25 Electrically Angled Automatic Sizing Machine The Precautionary, Warning and Prohibition Signs that must be on the machine are listed below.



The products in this User's Guide are produced and factory production controlled in our certified institution in compliance with the regulations and standards specified, are by subject to ISO 9001:2015 Quality Management System, TSE HYB, TSEK, meeting the requirements of the 2006/42 EC Machinery Safety Regulation and the 2006/95 EC Low Voltage Regulation referred to CE on the Product Safety.